

P100 Case steel, black



Bourdon Tube Pressure Gauge



Application:

- Suitable for gaseous or non-aggressive media which are not highly viscous and crystallising
- Media that will not obstruct the measurement system
- Compressors, pneumatics, heating equipment, etc.

Special Features

- Economical
- Design EN837-1
- Accuracy 2,5 %

Technical Data

Diameter: 40, 50, 63, 80, 100, 150, 160 mm

Case/Bezel: black steel

Ranges:

40 mm: 0..1 to 0...400 bar

50 mm: 0..1 to 0...600 bar

63 mm: 0..1 to 0...600 bar

80 mm: 0..0,6 to 0...600 bar

100 mm: 0..0,6 to 0...600 bar

150 mm: 0..0,6 to 0...600 bar

160 mm: 0..0,6 to 0...600 bar

Working pressure:

Steady: $\frac{3}{4}$ of full scale value

Fluctuating: $\frac{2}{3}$ of full scale value

Short time: full scale value

Operating temperature:

Ambient: -40 ... +60 °C

Medium: -20 ... +60 °C

Temperature effect:

Deviation when temperature of the Bourdon Tube deviates from +20C: max. +/- 0,4%/10K of the full scale value

Accuracy class:

40/50/63: 2,5 %

80/100/150/160: 1,6 %

Design:

EN837-1

Pressure connection:

Material: Cu-alloy

Lower (LM) and center back mount (CBM)

40 mm: G 1/8 B (M10x1)

50 and 63 mm: G $\frac{1}{4}$ B (M12x1,5)

80, 100, 150 and 160 mm: G $\frac{1}{2}$ B (M20x1,5)

Pressure element:

Material: Cu-alloy

≤ 100 bar: C-type

> 100 bar: helical type

Movement: Cu-alloy

Dial: With black lettering

Pointer: Black Aluminium

Window: Glass or plastic

Options:

Snap-in window

3-hole Flange/U-clamp

Chrome plated case or connection

Red pointer for heating equipment

Customer Logo on dial

Special Connection

Stainless steel case

Accuracy 1,6 %

Order information

Model/Size/Scale range/size of connection/Options

PA Instruments, s.r.o

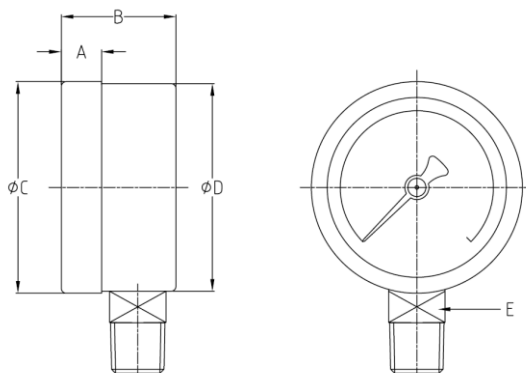
Vazska 1, 911 05 Trencin

Tel: +421-32 652 42 10 Fax: +421-32 652 42 11

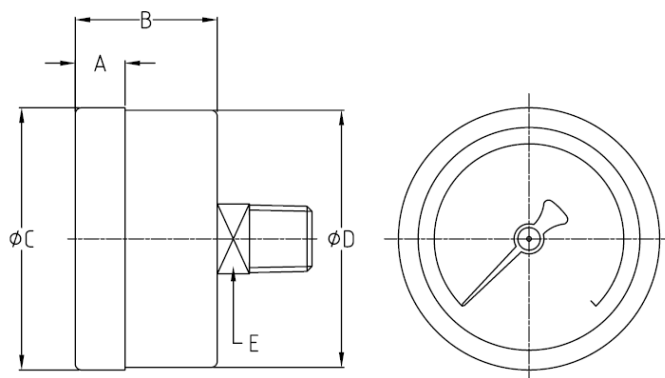
<http://www.pai.sk> E-mail: sales@pai.sk

P100 Case steel, black

Bourdon Tube Pressure Gauge



NS	A	B	φC	φD	E	
40	9.5	23.5	42.5	41	11	
50	10	28.5	52.5	51.5	14	
63	10.5	30	63	62	14	
80	12	34	81	79	17	
100	13	36.5	100	99	22	
150	25	43	150	148.5	22	
160	20.5	45	160	158.5	22	



NS	A	B	φC	φD	E	
40	9.5	26.5	42.5	41	11	
50	10	28.5	52.5	51.5	14	
63	10.5	30	63	62	14	
80	12	31.5	81	79	17	
100	13	38	100	99	22	
150	/	/	/	/	/	
160	/	/	/	/	/	