

# P340 Plastic Case, Liquid Filled



## Bourdon Tube Pressure Gauge



### Application:

- Suitable for gaseous or non-aggressive media which are not highly viscous and crystallising where pulsation or vibration exists
- Hydraulics, compressors, etc

### Special Features

- Shock and vibration resistant
- Long lifetime

### Technical Data

**Diameter:** 63 mm

**Case:** Plastic case

#### **Ranges:**

63 mm: 0...1 to 0...600 bar

#### **Working pressure:**

63 mm size:

Steady:  $\frac{3}{4}$  of full scale value

Fluctuating:  $\frac{2}{3}$  of full scale value

Short time: full scale value

#### **Operating Temperature:**

Ambient: TMIN – 20 to TMAX + 60°C

Medium: TMAX: +60°C

#### **Temperature effect:**

Deviation when temperature of the Bourdon Tube deviates from +20°C: max. +/- 0,4%/10K of the full scale value

#### **Accuracy class:**

1,6 %

#### **Design:**

EN837-1

#### **Protection:**

IP 65 per EN 60 529/IEC 529

#### **Pressure element:**

≤ 100 bar: C-type

> 100 bar: helical type

#### **Pressure connection:**

Material: Copper alloy

Lower (LM) and center back mount (CBM)

G  $\frac{1}{4}$  B (M12x1,5)

**Movement:** Cu-alloy

**Dial:** White aluminium with black lettering

**Pointer:** Black plastic or aluminium

**Window:** Polycarbonate

**Bezel ring:** Crimped ring

**Liquid filling:** Glycerine 99.7 %

#### **Options:**

Pressure system and movement made of stainless steel: P500

Other pressure connection

3-hole panel mounting or U-clamp

Silicon Filling

#### **Order information**

Model/Size/Scale range/Size of connection/Options

PA Instruments, s.r.o

Vazska 1, 911 05 Trencin

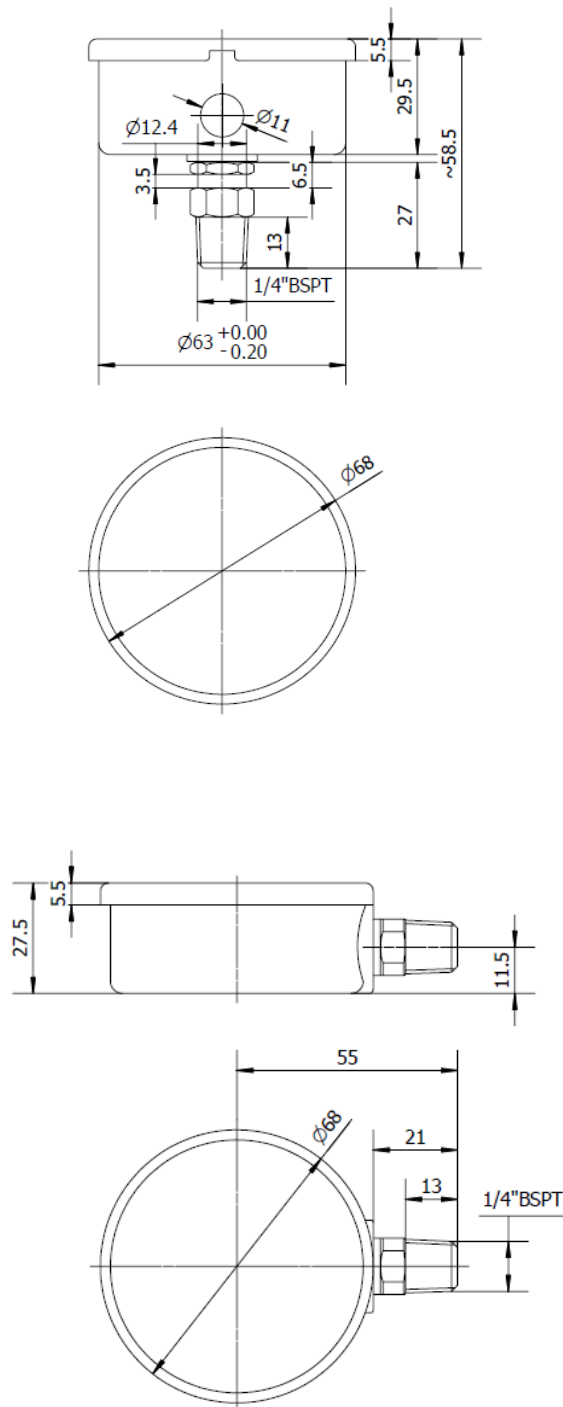
Tel: +421-32 652 42 10 Fax: +421-32 652 42 11

<http://www.pai.sk> E-mail: sales@pai.sk

# P340 Plastic Case, Liquid Filled



## Bourdon Tube Pressure Gauge



PA Instruments, s.r.o

Vazska 1, 911 05 Trencin

Tel: +421-32 652 42 10 Fax: +421-32 652 42 11

<http://www.pai.sk> E-mail: sales@pai.sk