

P100 Case steel, black

PA

Bourdon Tube Pressure Gauge



Application:

- For gaseous, liquid and non-aggressive media which are not highly viscous and crystallizing
- Media that will not obstruct the measurement system
- Compressors, pneumatics, heating equipment, etc.

Special Features

- Economical
- Design EN837-1
- Accuracy 2,5 %

Technical Data

Diameter: 40, 50, 63, 80, 100, 150, 160 mm

Case/Bezel: Black steel

Ranges:

40 mm: 0...1 to 0...400 bar

50 mm: 0...1 to 0...600 bar

63 mm: 0...1 to 0...600 bar

80 mm: 0...0,6 to 0...600 bar

100 mm: 0...0,6 to 0...600 bar

150 mm: 0...0,6 to 0...600 bar

160 mm: 0...0,6 to 0...600 bar

Working pressure:

Steady: $\frac{3}{4}$ of full scale value

Fluctuating: $\frac{2}{3}$ of full scale value

Short time: full scale value

Operating temperature:

Ambient: -40 ... +60 °C

Medium: -20 ... + 60 °C

Temperature effect:

Deviation when temperature of the Bourdon Tube deviates from +20C: max. +/- 0,4%/10K of the full scale value

Accuracy class:

40/50/63: 2,5 %

80/100/150/160: 1,6 %

Pressure connection:

Material: Cu-alloy

Lower (LM) and center back mount (CBM)

40 mm: G 1/8 B (M10x1)

50 and 63 mm: G $\frac{1}{4}$ B (M12x1,5)

80, 100, 150 and 160 mm: G $\frac{1}{2}$ B (M20x1,5)

Movement: Cu-alloy

Dial: White aluminium with black lettering

Pointer: Black Aluminium

Window: Glass or plastic

Options:

Snap-in window

3-hole Flange/U-clamp

Chrome plated case or connection

Red pointer for heating equipment

Customer Logo on dial

Special Connection

Stainless steel case

Order information

Model/Size/Scale range/size of connection/Options

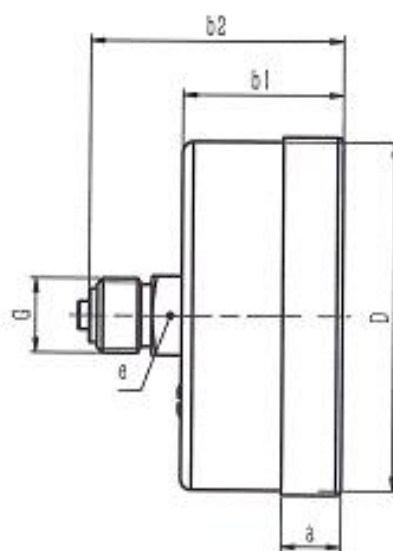
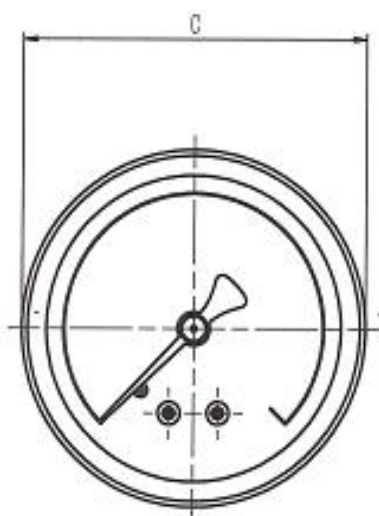
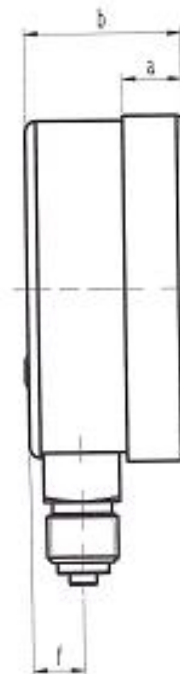
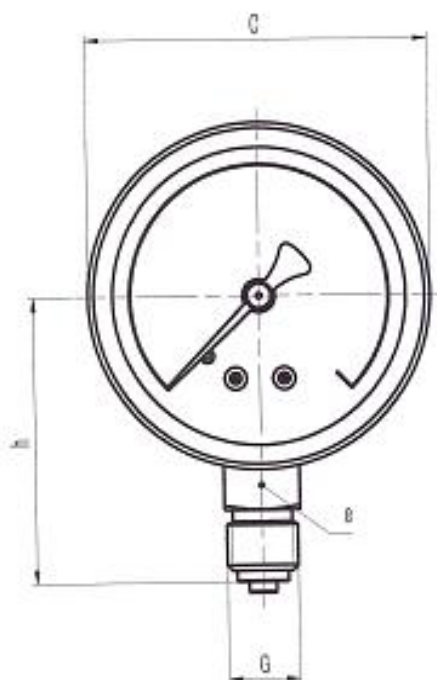
PA Instruments, s.r.o
Vazska 1, 911 05 Trencin

Tel: +421-32 652 42 10

<http://www.pai.sk> E-mail: sales@pai.sk

P100 Case steel, black

Bourdon Tube Pressure Gauge

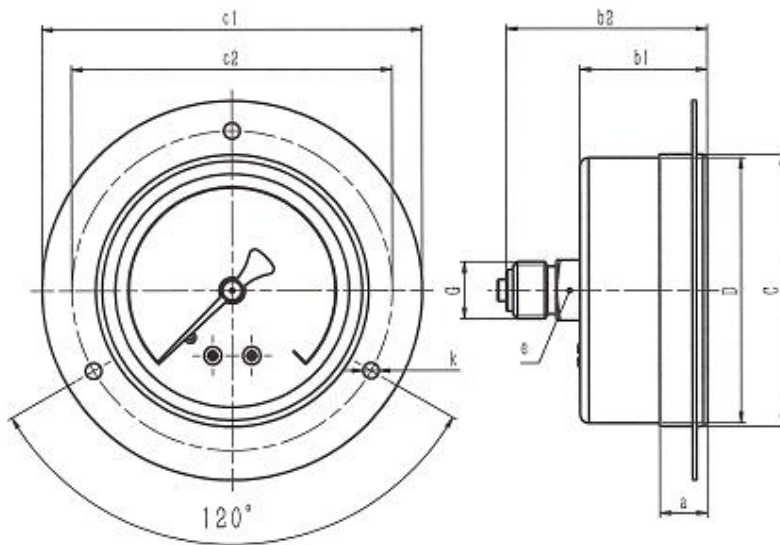


PA Instruments, s.r.o
Vazska 1, 911 05 Trecin
Tel: +421-32 652 42 10

<http://www.pai.sk> E-mail: sales@pai.sk

P100 Case steel, black

Bourdon Tube Pressure Gauge



P100	(mm)													
	a	b ±0.5	b1 ±0.5	b2 ±1	C	c1	c2	D	e	f	G	h ±1	k	
40	9,5	23,5	27	44	42,5	60,5	51	41	11 & 14	7,5	G1/8B G1/4B	36	3,5	
50	10	28,5	28,5	45	52	74,5	64	51	14	9,5	G1/8B G1/4B	46	3,7	
63	11	29,5	29,5	48	63	88	74	61,5	14	9,5	G1/8B G1/4B	52	3,7	
80	12	34	30	60	81	110	95	79	14 & 22	11,5	G1/4B G3/8B G1/2B	54	5	
100	13	37	32	62	100	132	117	99	14 & 22	14	G1/4B G3/8B G1/2B	82	6	