

# P200 Plastic Case, ABS

## Bourdon Tube Pressure Gauge



### Application:

- For gaseous, liquid and non-aggressive media which are not highly viscous and crystallizing
- Media that will not obstruct the measurement system
- Compressors, pneumatics, heating equipment, etc.

### Special Features

- Economical
- Design EN837-1
- Accuracy 2,5 %

### Technical Data

**Diameter:** 40, 50, 63, 80, 100 mm

**Case/Bezel:** Plastic ABS, black

#### **Ranges:**

40 mm: 0...1 to 0...400 bar

50 mm: 0...1 to 0...600 bar

63 mm: 0...1 to 0...600 bar

80 mm: 0...0,6 to 0...600 bar

100 mm: 0...0,6 to 0...600 bar

#### **Working pressure:**

Steady:  $\frac{3}{4}$  of full scale value

Fluctuating:  $\frac{2}{3}$  of full scale value

Short time: full scale value

#### **Operating temperature:**

Ambient: -40 ... +60 °C

Medium: -20 ... + 60 °C

#### **Temperature effect:**

Deviation when temperature of the Bourdon Tube deviates from +20C: max. +/- 0,4%/10K of the full scale value

#### **Accuracy class:**

2,5 %

#### **Pressure connection:**

**Material:** Cu-alloy

Lower (LM) and center back mount (CBM)

40 mm: G 1/8 B (M10x1)

50 and 63 mm: G  $\frac{1}{4}$  B (M12x1,5)

80, 100 mm: G  $\frac{1}{2}$  B (M20x1,5)

**Movement:** Cu-alloy

**Dial:** ABS, white with pointer stop pin with black lettering

**Pointer:** Black plastic

**Window:** Plastic

#### **Options:**

3-hole Flange/U-clamp

Red pointer for heating equipment

Customer Logo on dial

Special Connection

#### **Order information**

Model/Size/Scale range/Size of connection/Options

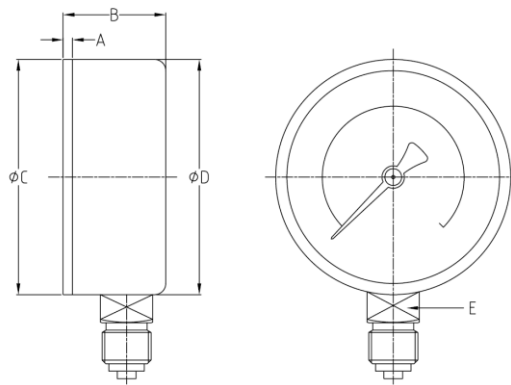
PA Instruments, s.r.o  
Vazska 1, 911 05 Trencin

Tel: +421-32 652 42 10

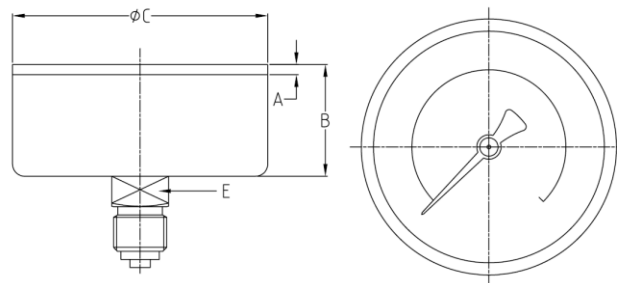
<http://www.pai.sk> E-mail: sales@pai.sk

# P200 Plastic Case, ABS

## Bourdon Tube Pressure Gauge



NS	A	B	φC	φD	E	
40	3.0	25	40.5		11	
50	2.7	27.5	49		14	
63	2.4	27.5	63		14	
80	/	/	/		/	
100	2.8	34	100		22	
150	/	/	/	/	/	
160	/	/	/	/	/	



NS	A	B	φC	φD	E	
40	3.0	25	40.5		11	
50	2.7	27.5	49		14	
63	2.4	27.5	63		14	
80	2.5	28	80		14	
100	/	/	/	/	/	
150	/	/	/	/	/	
160	/	/	/	/	/	

PA Instruments, s.r.o  
Vazska 1, 911 05 Trencin

Tel: +421-32 652 42 10

<http://www.pai.sk> E-mail: sales@pai.sk