

P310 Case Brass, Liquid Filled



Bourdon Tube Pressure Gauge



Application:

- For gaseous, liquid and non-aggressive media which are not highly viscous and crystallizing where pulsation or vibration exists.
- Hydraulics, compressors, etc.

Special Features

- Shock and vibration resistant
- Long lifetime

Technical Data

Diameter: 63 and 100 mm

Case/Bezel: Forged brass case with ring

Ranges:

0...0,6 bar to 0...1000 bar

Working pressure:

Diameter: 63 mm:

Steady: $\frac{3}{4}$ of full scale

Fluctuating: $\frac{2}{3}$ of full scale

Short time: full scale value

Diameter: 100 mm:

Steady: 1 of full scale value

Fluctuating: 0.9 of full scale value

Short time: 1.3 of full scale value

Operating Temperature:

Ambient: - 20 to + 60°C

Medium: + 60°C maximum (soldered tube)

+ 100°C maximum (Silver soldered tube)

Temperature effect:

When the temperature of the measuring system deviates from the reference temperature (+20°C):

Max. ± 0.4 %/10 K of the span

Accuracy class:

1,6 %

Design:

EN837-1

Protection:

IP 65 per EN 60 529/IEC 529

Pressure element:

≤ 60 bar: C-type

> 100 bar: helical type

Pressure connection:

Material: Cu-alloy

Lower (LM) and center back mount (CBM)

63 mm: G $\frac{1}{4}$ B (M12x1,5)

100 mm: G $\frac{1}{2}$ B (M20x1,5)

Movement: Cu-alloy

Dial: White aluminium with black lettering

Pointer: Black aluminium

Window: Polycarbonate

Liquid filling: Glycerine 99.7 %

Options:

Other pressure connection

100 mm: 1 % accuracy class

Order information

Model/Size/Scale range/Size of connection/Options

PA Instruments, s.r.o

Vazska 1, 911 05 Trencin

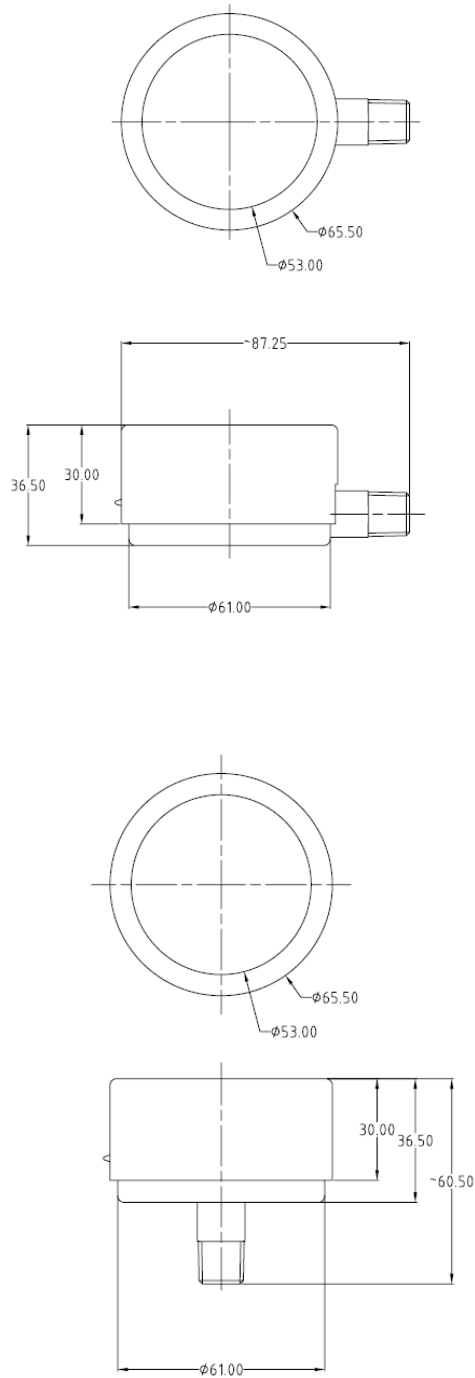
Tel: +421-32 652 42 10

<http://www.pai.sk> E-mail: sales@pai.sk

P310 Case Brass, Liquid Filled



Bourdon Tube Pressure Gauge



PA Instruments, s.r.o
Vazska 1, 911 05 Trencin

Tel: +421-32 652 42 10

<http://www.pai.sk> E-mail: sales@pai.sk