

P530 Process Gauge (Phenolic Case)



Bourdon Tube Pressure Gauge



Application:

- For aggressive media and environment

Technical Data

Diameter: „4 ½“

Case: PET TURRET Case (black) with glass-filled polypropylene threaded ring and pressure relieving back

Ranges:

0...1 bar to 0...1000 bar (15psi to 15 000psi)

Wetted parts: Stainless steel AISI 316L

Accuracy class: 0,5 % (ASME B40.1 Grade 2A)

Pressure connection:

1/4 NPT or 1/2 NPT, or G, BSPT, etc.,
Lower mount (LM)

Window: High temperature acrylic

Options:

Liquid filling
Brass or Monel connection

Order information

Model/Size/Scale range/Size of connection/Options

PA Instruments, s.r.o
Vazska 1, 911 05 Trencin

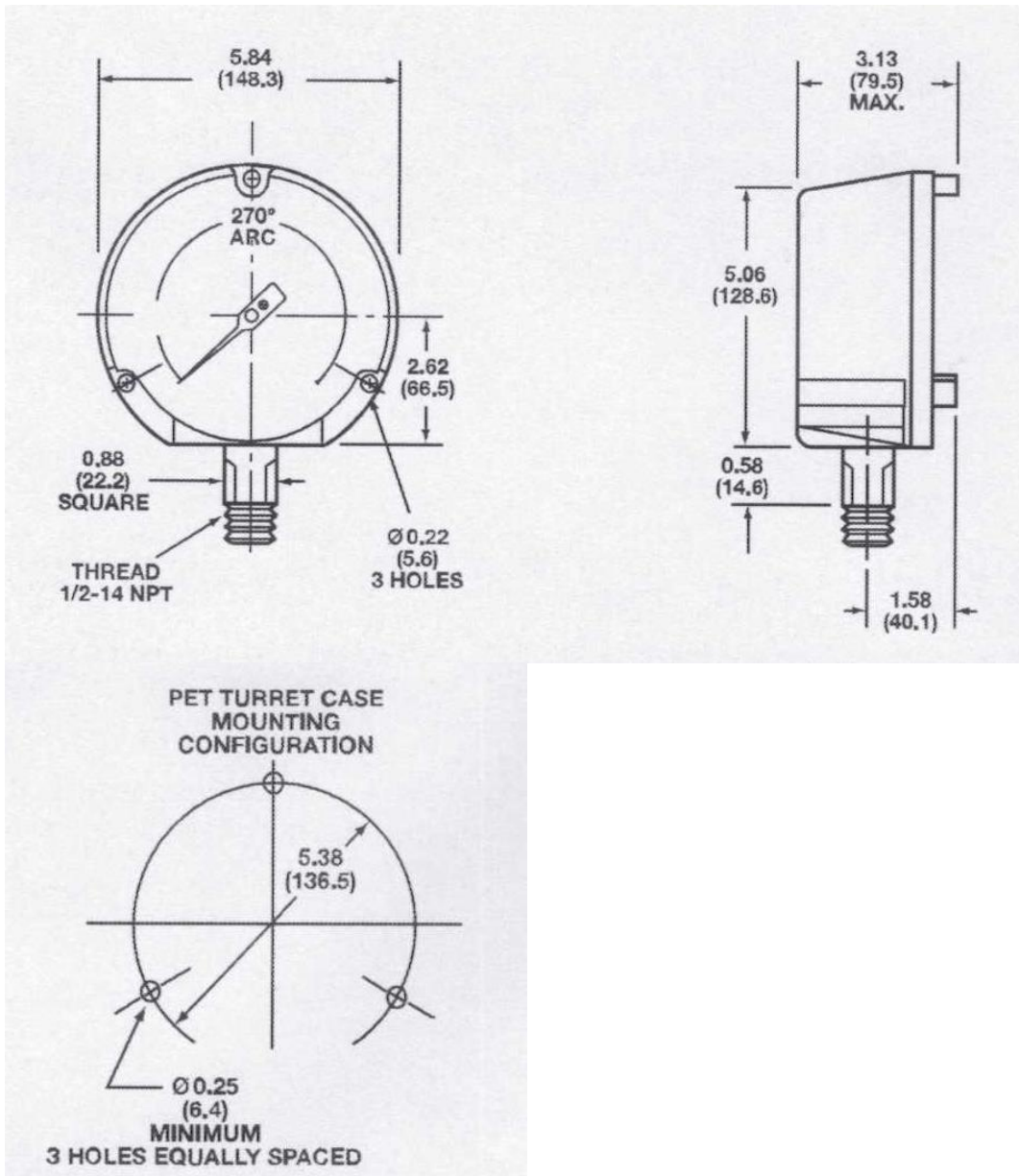
Tel: +421-32 652 42 10

<http://www.pai.sk> E-mail: sales@pai.sk

P530 Process Gauge (Phenolic Case)



Bourdon Tube Pressure Gauge



PA Instruments, s.r.o
Vazska 1, 911 05 Trencin

Tel: +421-32 652 42 10

<http://www.pai.sk> E-mail: sales@pai.sk