

P700 Espresso Machine Gauge



Dual Bourdon Tube Pressure Gauge



Application:

- Espresso machine

Special Features

- Double/dual pressure gauge
- Robust, temperature resistant

Technical Data

Diameter: 2,5"/65 mm

Case/Bezel: ABS/Brass, Crimped bezel

Ranges:

0-16 bar pressure for Espresso

0-2,5/3 bar for steaming the milk (cappuccino)

Accuracy class:

0-2,5/3 bar is 1,6% accuracy, 0-16 bar is 1,6% accuracy

Pressure connection:

Back mount 2x G1/8

Material:

Bourdon Tube 2,5/3 bar: Stainless steel

Bourdon Tube 16 bar : Cu-alloy

Movement: Cu-alloy

Dial: White with black lettering

Pointer: Black

Window: Glass

Options: Customer's logo

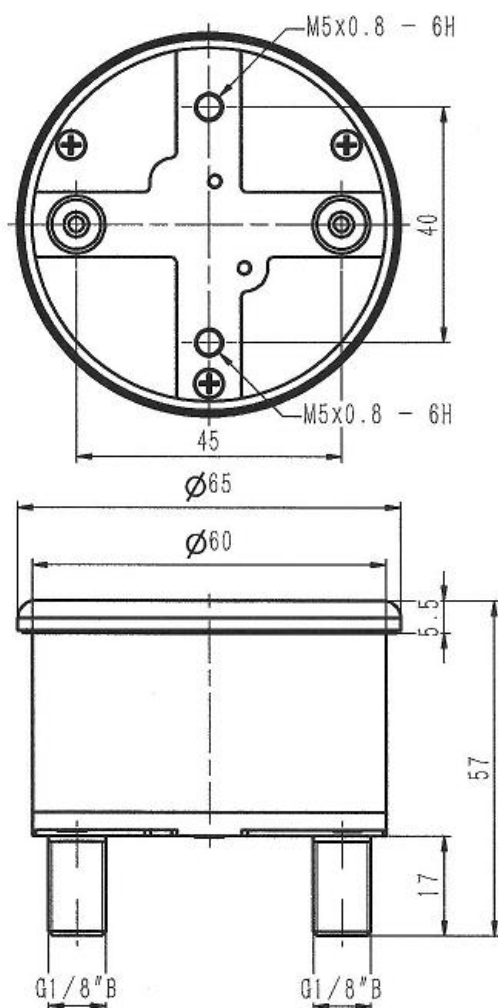
PA Instruments, s.r.o
Vazska 1, 911 05 Trencin

Tel: +421-32 652 42 10

<http://www.pai.sk> E-mail: sales@pai.sk

P700 Espresso machine gauge

Bourdon Tube Pressure Gauge



PA Instruments, s.r.o
Vazska 1, 911 05 Trencin
Tel: +421-32 652 42 10

<http://www.pai.sk> E-mail: sales@pai.sk