

# TB100 Bimetal-Thermometer

## Temperature Gauge



### Application:

- For non-aggressive media

### Special Features

- Accuracy 2%
- Heating equipment

### Technical Data

**Diameter:** 40, 50, 63, 80, 100, 160 mm

**Case/Bezel:** Steel, chrome plated

#### **Ranges:**

0...60°C to 0-200°C

#### **Accuracy class:**

2%

### **Pressure connection:**

**Material:** Cu-alloy

G1/2, NPT, M, BSPT, etc. Low (LM) or back mount (CBM)

**Wetted Parts:** Cu-alloy

**Dial:** White with black lettering

**Pointer:** Black, Aluminium

**Window:** Glass

### **Options:**

Flanches

Thermowells

### **Order information**

Model/Size/Scale range/size of connection/Options

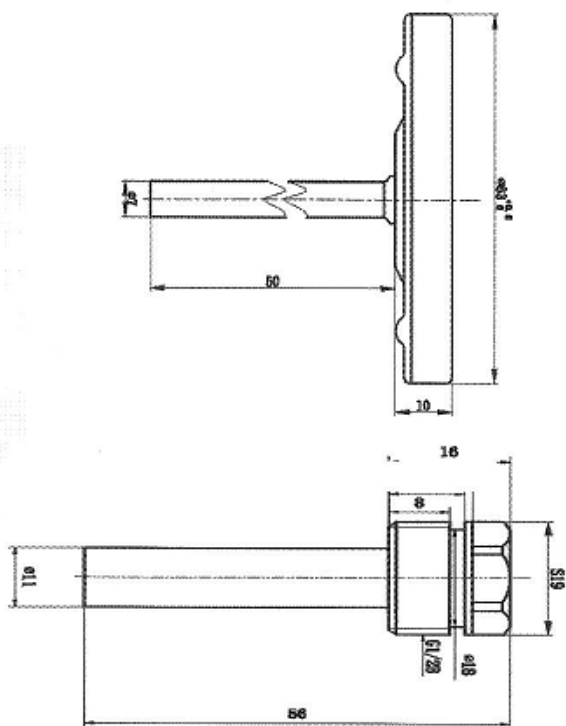
PA Instruments, s.r.o  
Vazska 1, 911 05 Trencin

Tel: +421-32 652 42 10

<http://www.pai.sk> E-mail: sales@pai.sk

# TB100 Bimetal-Thermometer

Temperature Gauge



PA Instruments, s.r.o  
Vazska 1, 911 05 Trencin  
Tel: +421-32 652 42 10

<http://www.pai.sk> E-mail: sales@pai.sk